

## PVC-U TRUE UNION VALVE (THREAD)

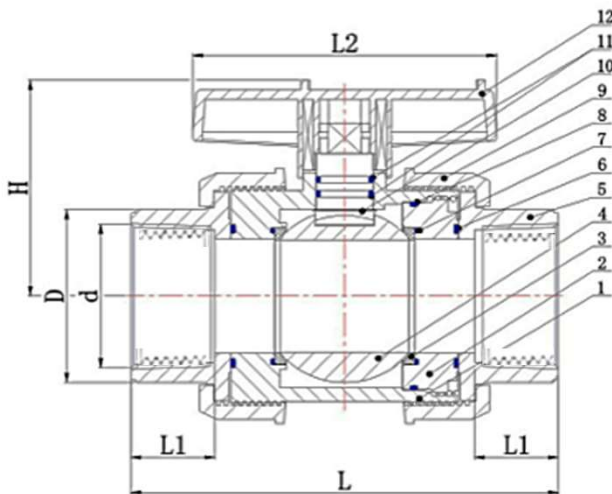
Product No.: **V06-1**

Product STD: **ASTM GB**

Body CLR:

Handle CLR:

Description: PVC-U TRUE UNION BALL VALVE  
(THREAD)



NO.	PART	MATERIAL	QTY	NO.	PART	MATERIAL	QTY
1	Body	PVC	1	7	O-Ring	NBR	2
2	Seat Carrier	PVC	1	8	O-Ring	NBR	1
3	Seat seal	PTFE	2	9	Union Nut	PVC	2
4	Ball	PVC	1	10	Stem	PVC	1
5	End Connector	PVC	2	11	Stem O-ring	NBR	2
6	O-Ring	NBR	2	12	Handle	ABS	1

size (mm)	NPT Thd. / in	BSPT Thd. / in	d	D (mm)	H (mm)	L2 (mm)	L1 (mm)	L (mm)
15(1/2")	14	14	1/2"	29	53	64	23	110
20(3/4")	14	14	3/4"	36	59	79	25	127
25(1")	11.5	11	1"	43	68	84	27.5	142
32(1-1/4")	11.5	11	1-1/4"	53	79	96	31.5	161
40(1-1/2")	11.5	11	1-1/2"	62.5	89	116	35	176
50(2")	11.5	11	2"	80.5	106	133	43	213
65(2-1/2")	8	11	3-1/2"	88	113.5	160	41.5	223
80(3")	8	11	3"	108	148	200	51.5	265
100(4")	8	11	4"	208	169	240	57	306